

B. \_\_\_\_\_  
 C. \_\_\_\_\_  
 D. \_\_\_\_\_  
 H. \_\_\_\_\_

E1. \_\_\_\_\_  
 E2. \_\_\_\_\_  
 E3. \_\_\_\_\_  
 E4. \_\_\_\_\_  
 E5. \_\_\_\_\_

Date \_\_\_\_\_

Job Name \_\_\_\_\_

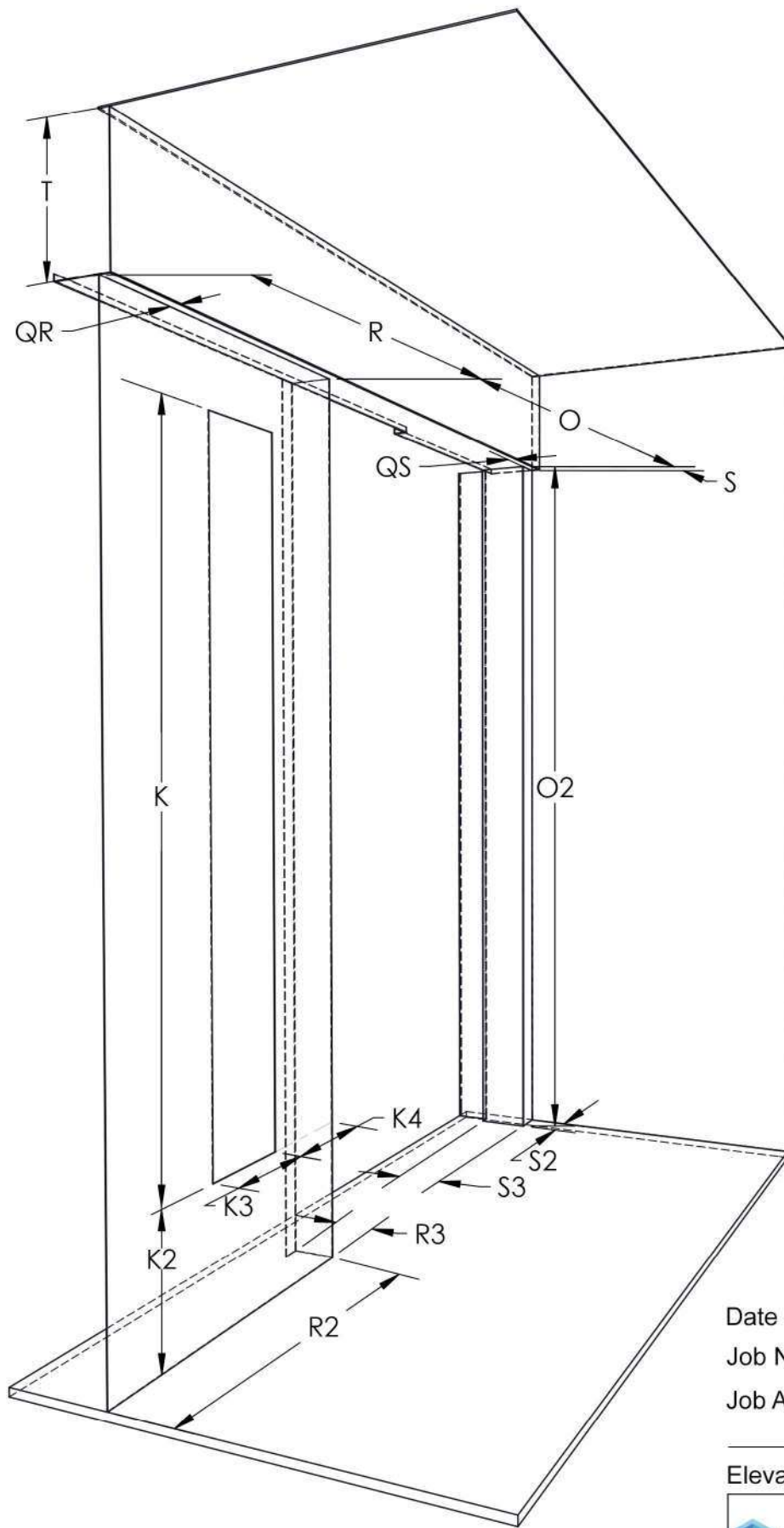
Job Address \_\_\_\_\_

Elevator Name/number \_\_\_\_\_



**G&R ELEVATOR MFG., INC.**  
 2352 STATION PARKWAY  
 ANDOVER, MN 55304  
 763-757-6177  
 email: sales@gandrcustomcabs.com

**SURVEY SHEET SET FOR  
 LH OPENING CAB**



- K. \_\_\_\_\_
- K2. \_\_\_\_\_
- K3. \_\_\_\_\_
- K4. \_\_\_\_\_
- O. \_\_\_\_\_
- O2. \_\_\_\_\_
- QR. \_\_\_\_\_
- QS. \_\_\_\_\_
- R. \_\_\_\_\_
- R2. \_\_\_\_\_
- R3. \_\_\_\_\_
- S. \_\_\_\_\_
- S2. \_\_\_\_\_
- S3. \_\_\_\_\_
- T. \_\_\_\_\_

Date \_\_\_\_\_

Job Name \_\_\_\_\_

Job Address \_\_\_\_\_

Elevator Name/number \_\_\_\_\_

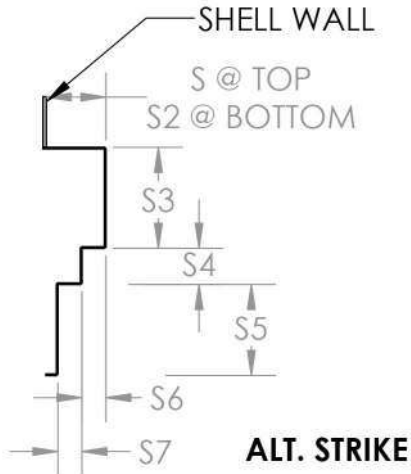
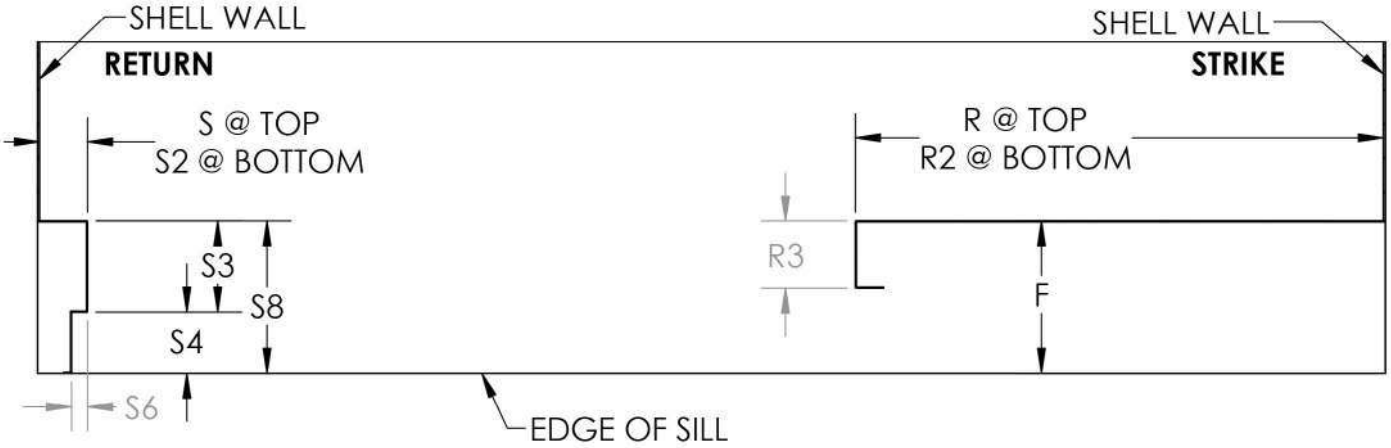


**G&R ELEVATOR MFG., INC.**  
 2352 STATION PARKWAY  
 ANDOVER, MN 55304  
 763-757-6177  
 email: sales@gandrcustomcabs.com

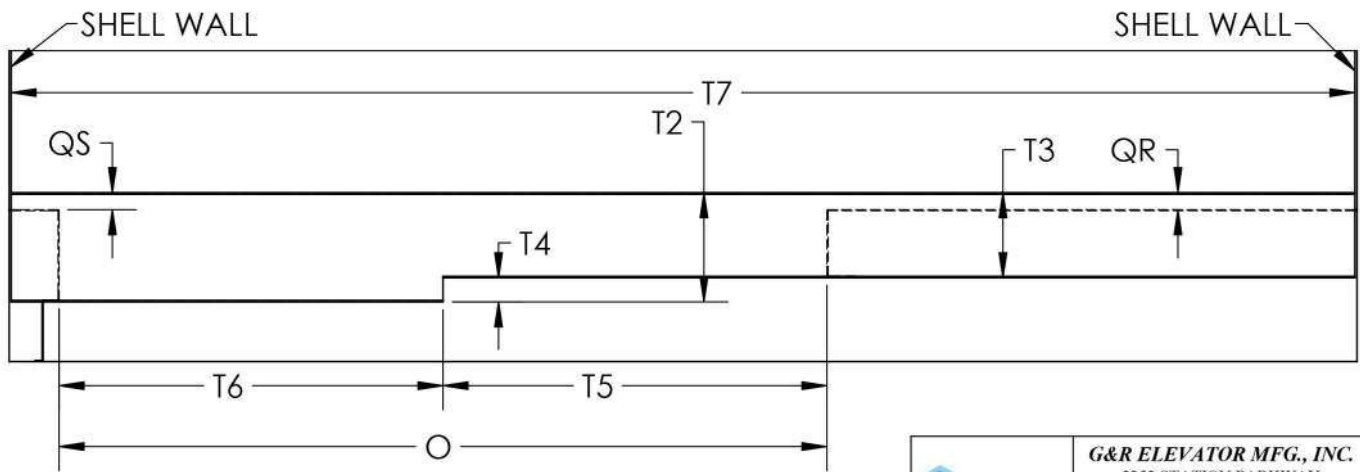
**SURVEY SHEET SET FOR  
 LH OPENING CAB**

R. \_\_\_\_\_ S. \_\_\_\_\_ S5. \_\_\_\_\_  
 R2. \_\_\_\_\_ S2. \_\_\_\_\_ S6. \_\_\_\_\_  
 R3. \_\_\_\_\_ S3. \_\_\_\_\_ S7. \_\_\_\_\_  
 F. \_\_\_\_\_ S4. \_\_\_\_\_ S8. \_\_\_\_\_

**DIMENSIONS ARE TO BE MEASURED TO SHELL WALL BEHIND WALL PANELS TYP.**



O. \_\_\_\_\_ T2. \_\_\_\_\_ T5. \_\_\_\_\_  
 QR. \_\_\_\_\_ T3. \_\_\_\_\_ T6. \_\_\_\_\_  
 QS. \_\_\_\_\_ T4. \_\_\_\_\_ T7. \_\_\_\_\_



**TRANSOM**

	<b>G&amp;R ELEVATOR MFG., INC.</b> 2352 STATION PARKWAY ANDOVER, MN 55304 763-757-6177
	email: <a href="mailto:sales@gandrcustomcabs.com">sales@gandrcustomcabs.com</a>

**SURVEY SHEET SET FOR LH OPENING CAB**